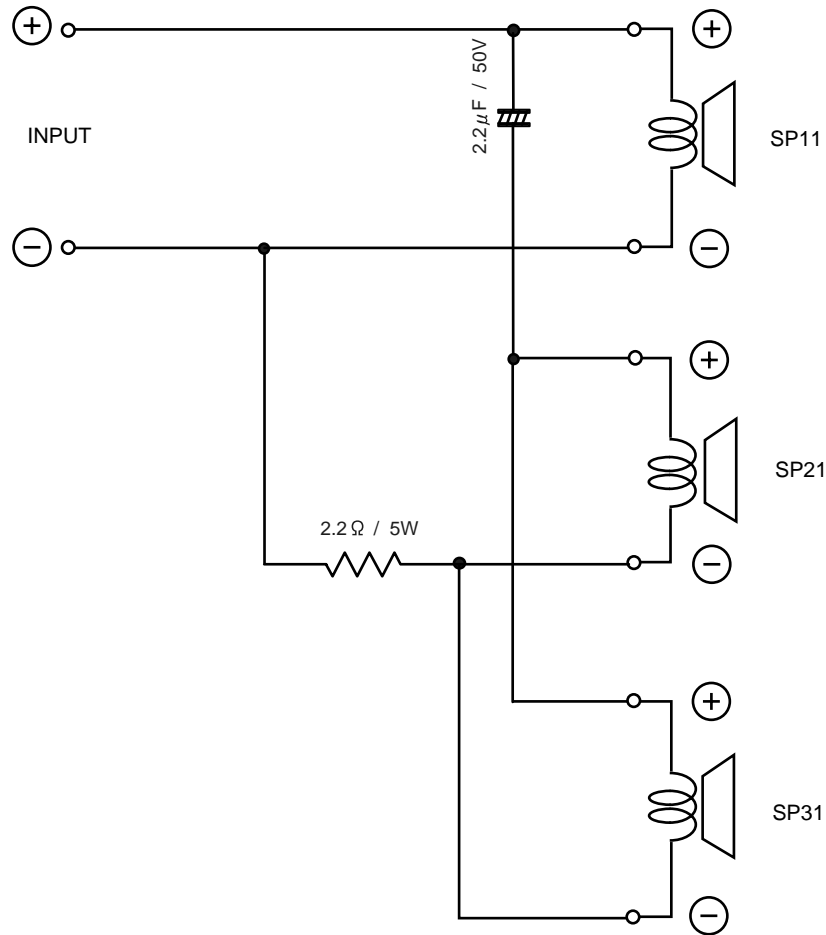


Standard schematic diagram

5
4
3
2
1



A | B | C | D